

ZCF-P series 2-way anti-corrosive solenoid valve 1/2"~2"

working medium: liquid (acid, alkali) , air
 medium temperature: -5 ~ 60 °C
 environment temperature: -10 ~ 50 °C
 working pressure: 0.1 ~ 6 bar
 working type: pilot operated (NC)
 valvebody material: UPVC , CPVC
 sealing material: VITON
 interface thread: G thread, NPT thread
 Coil parameters: slowly heating up low power
 energy saving ES coil
 AC220~240V 50/60Hz 9VA
 DC24V 7.5W
 IP65 H degree



ZCF-PU-15

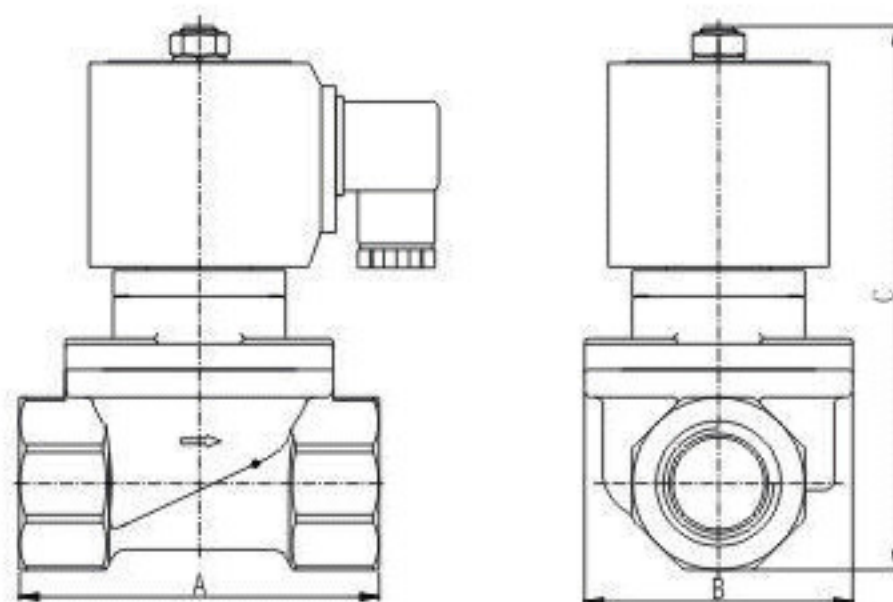
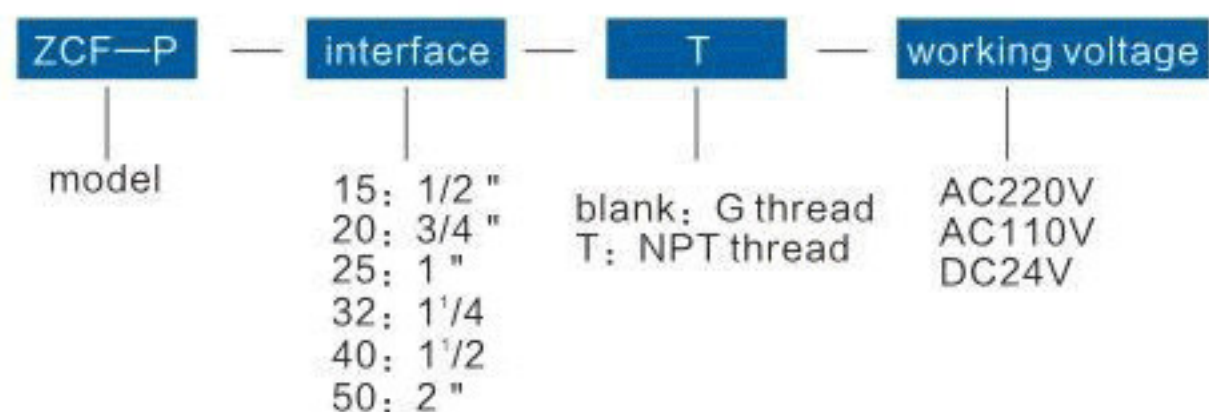


ZCF-PU-25



ZCF-PC-32

order code



ZCF-P series anti-corrosive solenoid valve drawing

ZCF-P series anti-corrosive solenoid valve specification table

| model | Orifice size (mm) | interface size | CV | working pressure (bar) | dimension | Weight Kg |
|----------|---------------------|----------------|-----|--------------------------|--------------|-----------|
| | | | | | A×B×C (mm) | |
| ZCF-P-15 | 15 | 1/2 " | 4.8 | 0.1 ~ 6 | 74×63×138 | 1.1 |
| ZCF-P-20 | 20 | 3/4 " | 7.6 | 0.1 ~ 6 | 78×63×138 | 1.1 |
| ZCF-P-25 | 25 | 1 " | 11 | 0.1 ~ 6 | 98×73×148 | 1.2 |
| ZCF-P-32 | 32 | 1 1/4 " | 24 | 0.1 ~ 6 | 120×94×171 | 1.5 |
| ZCF-P-40 | 40 | 1 1/2 " | 29 | 0.1 ~ 6 | 130×94×180 | 1.5 |
| ZCF-P-50 | 50 | 2 " | 45 | 0.1 ~ 6 | 172×155×225 | 2.6 |