

Ports	Orifice size [mm]	Kv value (water at 1 bar) [l/min]	Minimum differential pressure ABSOLUTE	Valve body	Seal	Mass [kg]	Coil type	Model	Order code 230VAC	Fig.
-------	----------------------	--	--	------------	------	--------------	-----------	-------	----------------------	------

2/2 closed when de-energised (NC)

G3/8	7	13	15 mbar	Ms	NBR	0.52	TM35	D224	320717	1
------	---	----	---------	----	-----	------	------	------	---------------	---

G1/2	10	25	15 mbar	Ms	NBR	0.57	TM30	D240	340501	2
------	----	----	---------	----	-----	------	------	------	---------------	---

G1/2	12	40	15 mbar	Ms	NBR	0.43	TM30	M2451	301702	3
------	----	----	---------	----	-----	------	------	-------	---------------	---

G3/4	18	65	15 mbar	Ms	NBR	0.76	TM35	M2521	301701	3
------	----	----	---------	----	-----	------	------	-------	---------------	---

G1	23	140	15 mbar	Ms	NBR	1.2	TM35	M2621	301709	3
----	----	-----	---------	----	-----	-----	------	-------	---------------	---

G6/4	40	330	15 mbar	Ms	NBR	2.75	TM40	M275	370810	3
------	----	-----	---------	----	-----	------	------	------	---------------	---

G3/4	18	90	15 mbar	Ms	NBR	0.66	TM30	M250	350510	4
------	----	----	---------	----	-----	------	------	------	---------------	---

G1	25	180	15 mbar	Ms	NBR	1.2	TM30	M260	360518	4
----	----	-----	---------	----	-----	-----	------	------	---------------	---

G6/4	40	330	15 mbar	Ms	NBR	2.4	TM30	M270	370511	4
------	----	-----	---------	----	-----	-----	------	------	---------------	---

2/2 open when de-energised (NO)

G3/4	18	90	15 mbar	Ms	NBR	0.66	TM30	M250NO	359511	4
------	----	----	---------	----	-----	------	------	--------	---------------	---

G1	25	180	15 mbar	Ms	NBR	1.2	TM30	M260NO	369510	4
----	----	-----	---------	----	-----	-----	------	--------	---------------	---

G6/4	40	330	15 mbar	Ms	NBR	2.4	TM30	M270NO	379510	4
------	----	-----	---------	----	-----	-----	------	--------	---------------	---

3/2 closed when de-energised (NC)

G1/4	4.5	7.5	15 mbar	Ms	NBR	0.52	TM35	D32NO/N C	330742	5
------	-----	-----	---------	----	-----	------	------	--------------	---------------	---

ORDERING:

Please state order code, seal and voltage (e.g.: 320717 FPM 24VAC) or consult our staff.

For easier valve choice use QUESTIONNAIRE on page 36.

OPTIONS:

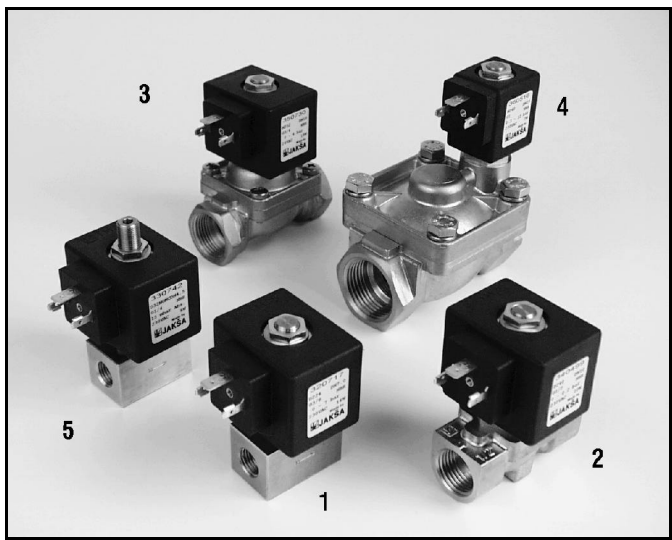
- EEx me II explosionproof coils
- NPT ports

Other versions on request.

Specifications are subject to change without notice.

TECHNICAL DATA:

Internal parts:	stainless steel
Seals:	NBR, FPM
Fluid temperature:	-10°C to +90°C (NBR)
Ambient temperature:	max +60°C
Viscosity:	max 21 mm ² /s
Response time:	5 to 120 ms
Voltage:	230, 115, 48, 24 V 50/60 Hz 24, 12 V DC
Power consumption:	see chapter »Coils«
Duty cycle:	continuous (ED100%)
Cycling rate:	250 to 800 cpm
Electrical protection:	IP65 (with plug to DIN 43650)



Dimensions [mm]

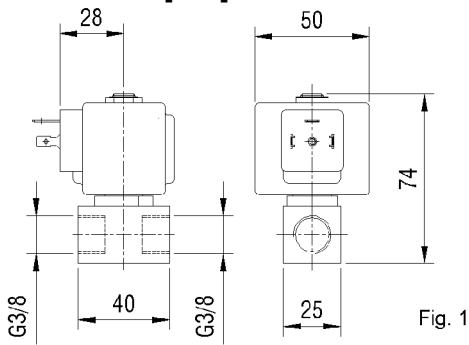


Fig. 1

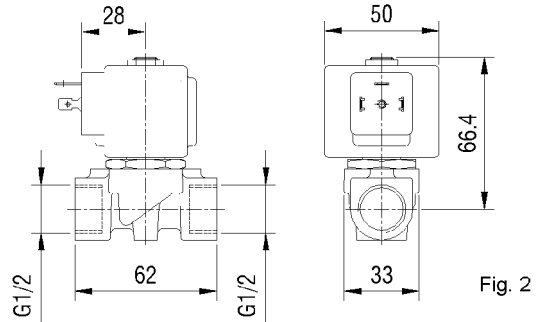


Fig. 2

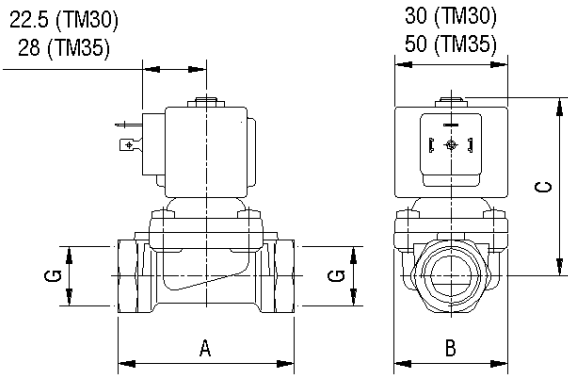


Fig. 3

Model	G	A	B	C
M245	1/2"	58	41	74
M252	3/4"	78	50	80
M262	1"	95	70	86
M275	6/4"	132	96	129

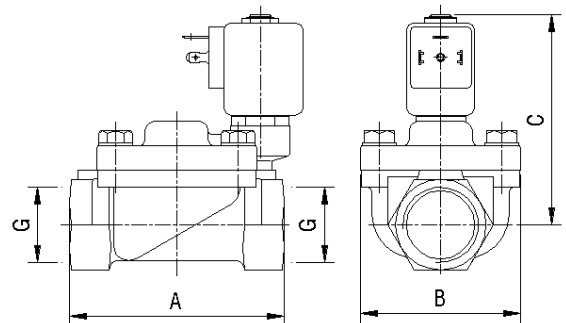


Fig. 4

Model	G	A	B	C
M250	3/4"	78	50	87
M260	1"	95	70	92
M270	6/4"	132	96	104

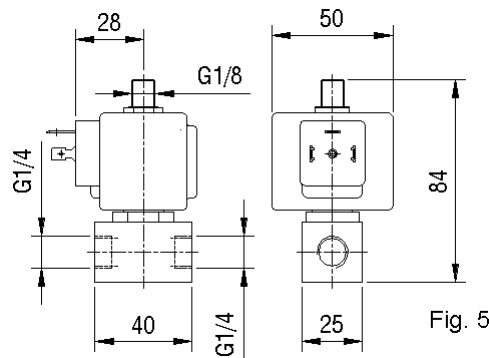


Fig. 5