

2/2 Closed when de-energised (NC)

Ports	Orifice size [mm]	Kv value (water at 1 bar) [l/min]	Differential pressure [bar]		Fluid temperature max [°C]	Valve body	Seal	Mass [kg]	Coil type	Model	Order code 230VAC	Fig.
			Min	Max AC*								

Direct acting

G1/4	2.3	2	0	8	180	Ms	EPDM	0.25	TM30	D224	320511	1
	2.3	2	0	8	180	Ms	EPDM	0.49	TM35	DP24	320490	1
	4.5	7.5	0	6	180	Ms	EPDM	0.49	TM35	DP25	320491	1

Diaphragm – pilot operated

G1/2	10	20	0.5	9	180	Ms	PTFE	0.49	TM30	M246	340610	3
G1	18.5	155	0.5	9	180	Ms	PTFE	1.32	TM30	M263	360514	2

Diaphragm – low pressure service

G1/2	12	40	0	10	130	Ms	EPDM	0.43	TM30	M2451	301703	3
G3/4	18	65	0	10	130	Ms	EPDM	0.76	TM35	M2521	301706	3
G1	25	160	0	10	130	Ms	EPDM	1.2	TM35	M2621	301710	3
G6/4	40	330	0	1	130	Ms	EPDM	2.75	TM40	M275	370811	3

3/2 Closed when de-energised (NC)

G1/4	1.8	1.5	0	10	165	Ms	EPDM	0.31	TM30	D321	330519	5
FL32	1.5	1.4	0	10	165	Ms	EPDM	0.23	TM30	D382	330515	6

*Pressure is lower when DC coil is used!

2/2 Piston – air operated, closed when de-pressurised (NC)

Ports	Orifice size [mm]	Kv value (water at 1 bar) [l/min]	Fluid pressure [bar]		Fluid temperature max [°C]	Valve body	Seals	Pilot pressure** [bar]		Flow directiona	Model	Order code	Fig.
			Min	Max				Min	Max				
G3/4	20	130	0	10	180	INOX	PTFE	3.5	10	1 ? 2	D262N	397532	4
G1	25	310	0	10	180	INOX	PTFE	3.5	10	1 ? 2	D262N	397533	4
G6/4	40	700	0	10	180	INOX	PTFE	3.5	10	1 ? 2	D262N	397535	4
G2	50	860	0	4.5	180	INOX	PTFE	3.5	10	1 ? 2	D262N	397536	4

ORDERING:

Please state order code and voltage (e.g.: 320511 24VAC) or consult our staff.

For easier valve choice use QUESTIONNAIRE on page 36.

OPTIONS:

- EEx me II explosionproof coils

Other versions on request.

Specifications are subject to change without notice.

TECHNICAL DATA:

Internal parts: stainless steel

Ambient temperature: max +55°C

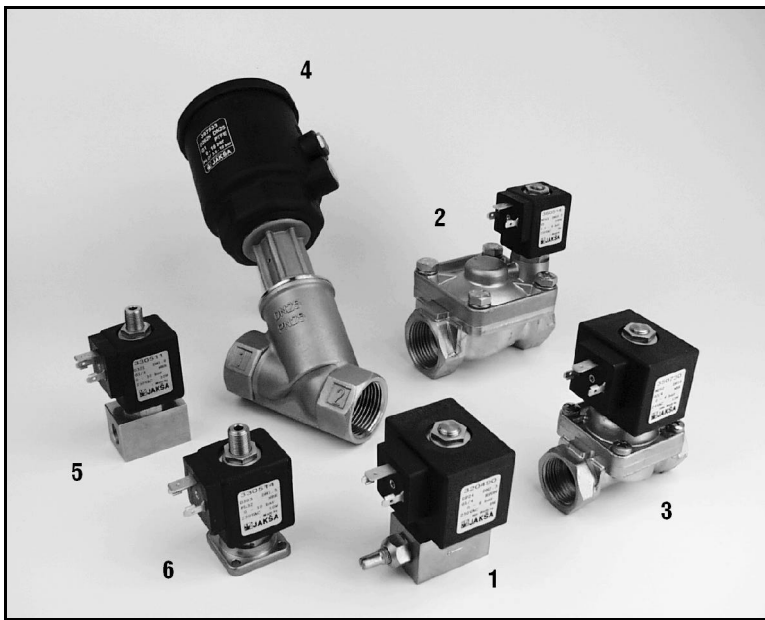
**Pilot fluid: air, water (max 60°C)

Voltages: 230, 115, 48, 24 V 50/60 Hz
24, 12 V DC

Power consumption: see chapter »Coils«

Duty cycle: continuous (ED100%)

Electrical protection: IP65 (with plug to DIN 43650)



Dimensions [mm]

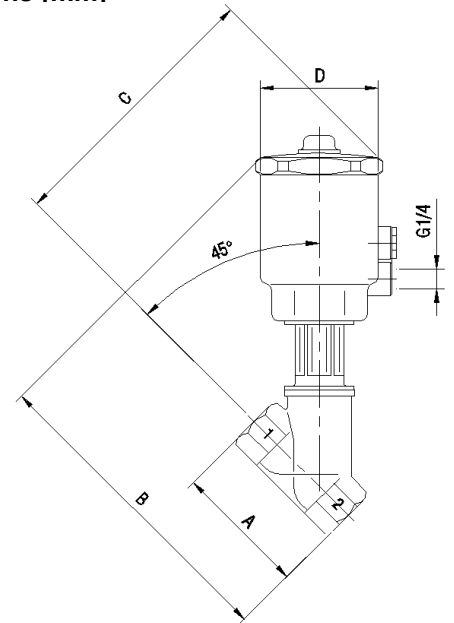


Fig. 4

G	A	B	C	Mass
1/2"	65	192	171	1.4 kg
3/4"	75	198	176	1.5 kg
1"	90	212	185	1.9 kg
6/4"	120	230	198	3.0 kg
2"	150	248	207	3.7 kg

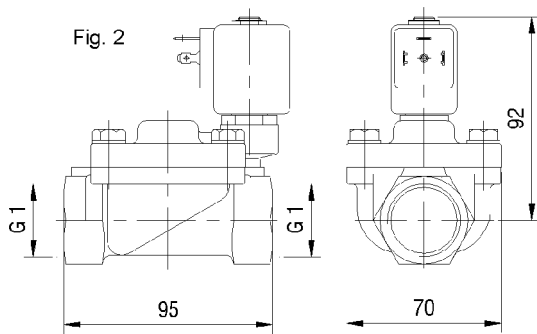


Fig. 2

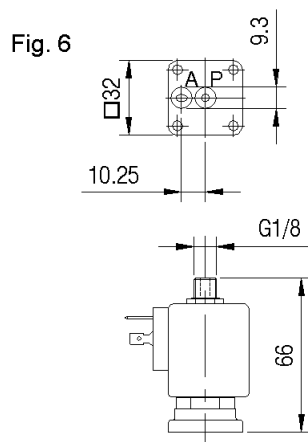


Fig. 6

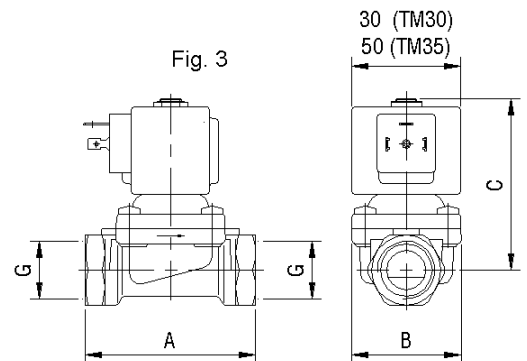


Fig. 3

G	A	B	C	D
1/2"	58	41	74	30
3/4"	78	50	80	50
1"	95	70	86	50
6/4"	132	96	129	65

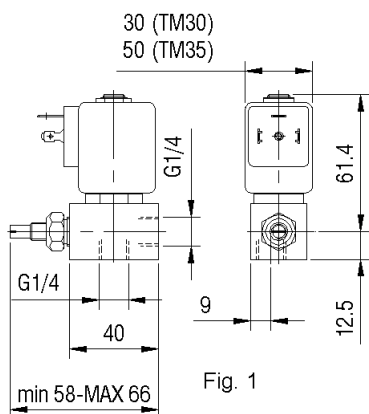


Fig. 1

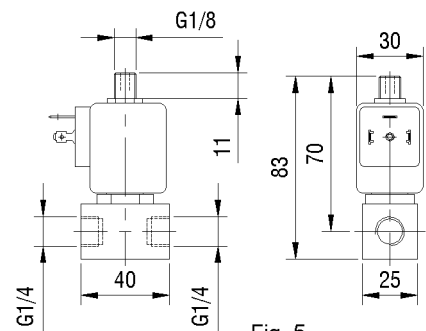


Fig. 5

320491 without flow adjustment!