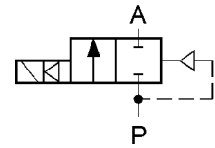


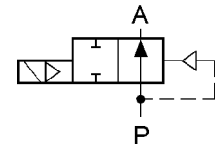
Closed when de-energised (NC)

Ports	Orifice size [mm]	Kv value (water at 1 bar) [l/min]	Differential pressure [bar]		Valve body	Mass [kg]	Coil type	Model	Order code 230VAC NBR seal	Fig.
			Min	Max AC*						
G1/2	12	40	0	10	Ms	0.43	TM30	M2451	301702	1
G3/4	18	65	0	10	Ms	0.8	TM35	M2521	301701	2
G1	25	180	0	10	Ms	1.2	TM35	M2621	301709	3
G6/4	40	330	0	1	Ms	2.75	TM40	M275	370810	4



Open when de-energised (NO)

G1/2	10	40	0	4	Ms	0.43	TM35	M2451NO	399831	1
G3/4	18	65	0	4	Ms	0.76	TM35	M2521NO	399834	2



*Pressure is lower when DC coil is used!

ORDERING:

Please state order code and voltage (e.g.: 301702 24VAC) or consult our staff.

For easier valve choice use QUESTIONNAIRE on page 36.

OPTIONS:

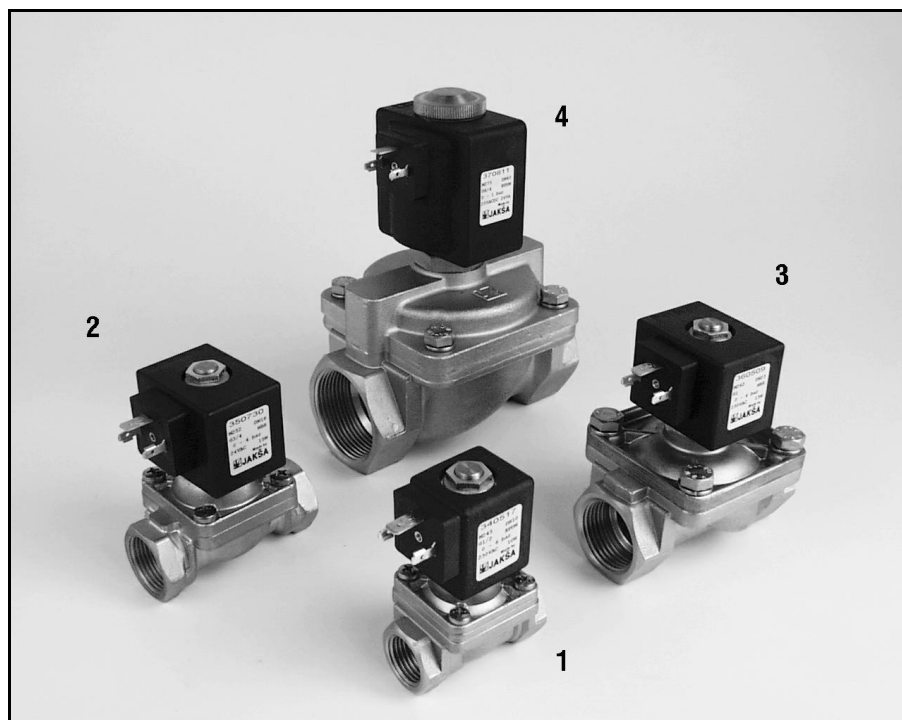
- EEx me II explosionproof coils
- NPT ports

Other versions on request.

Specifications are subject to change without notice.

TECHNICAL DATA:

Internal parts: stainless steel
 Seals: NBR, EPDM, FPM
 Fluid temperature: -10°C to +85°C (NBR)
 -10°C to +130°C (EPDM)
 -10°C to +100°C (FPM)
 Ambient temperature: max +55°C
 Viscosity: max 21 mm²/s
 Response time: opening 0.1 to 1 s / closing 0.5 to 5 s
 Voltages: 230, 115, 48, 24 V 50/60 Hz
 24, 12 V DC
 Power consumption: see chapter »Coils«
 Duty cycle: continuous (ED100%)
 Cycling rate: 10 to 100 cpm
 Electrical protection: IP65 (with plug to DIN 43650)



Dimensions [mm]:

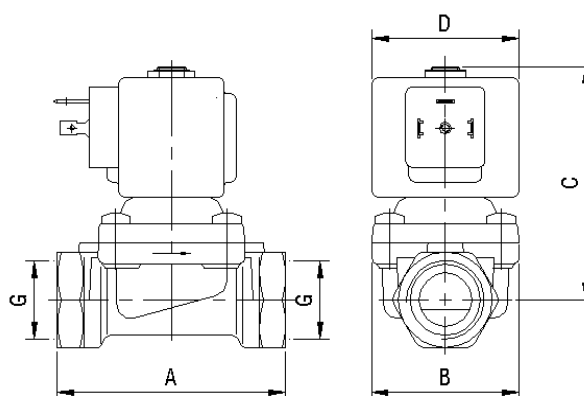


Fig.	G	A	B	C	D
1	1/2"	58	41	74	30
2	3/4"	78	50	78	50
3	1"	95	70	86	50
4	6/4"	132	96	129	65