

2/2-way valves ND 15 to 150



For neutral gaseous and liquid fluids
 Pressure actuated by external fluid
 Diaphragm valves
 Flange connection PN 16 / PN 10
 Operating pressure 0 to 16 bar (see table)

Publication 7501574.06.02.96
 Catalogue index
A 8
 83 380 series

Description (standard valve)

Solenoid valve for air and water

Flow direction: optional
 Mounting position: optional

Flow fluid range

Fluid temperature: max. +80 °C

Ambient temperature: max. +55 °C

Material Body: Grey cast iron

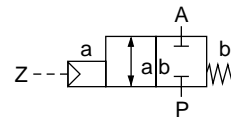
Seat seal: EPDM

Pilot fluid: gaseous and liquid
 neutral fluids
 Viscosity max. 40 mm²/s (cSt)
 Temperature max. +40 °C



Features

- Suitable for high viscosity and contaminated fluids
- Flow direction and mounting position optional
- Special seals for fuel and oil



Switching function:
 Normally closed

Characteristic data

ND	Operating pressure with gaseous and liquid fluids up to 400 mm ² /s (cSt) [bar]		Pilot pressure [bar]		k _v -value (Base m ³ /h)	Weight [kg]	Section no	Dimension table no	Cat no xx xxx xx.xxxx
	min	max.	min.	max.					
15	0	10	3.0	6	7	3.1	01	01	83 382 00.0000
20	0	10	3.0	6	14	3.7	01	02	83 383 00.0000
25	0	10	3.0	6	20	4.2	01	03	83 384 00.0000
32	0	10	3.0	6	36	7.7	01	04	83 385 00.0000
40	0	10	3.0	6	40	8.2	01	05	83 386 00.0000
50	0	10	3.0	6	80	13.7	01	06	83 387 00.0000
65	0	6	4.5	7	100	26.0	02	07	83 388 00.0000
80	0	8	5.5	7	160	30.0	02	08	83 389 00.0000
100	0	6	5.5	7	238	48.0	02	09	83 390 00.0000
125	0	8	5.5	7	376	91.0	02	10	83 391 00.0000
150	0	6	5.5	7	496	104.0	02	11	83 392 00.0000

IMI Norgren Buschjost GmbH + Co. KG

PO Box 10 02 52-53
 D-32502 Bad Oeynhausen

Tel +49 (0) 57 31 79 10
 Fax +49 (0) 57 31 79 11 79

<http://www.buschjost.com>
 e-mail: mail@buschjost.de

Further models

available at extra cost

- XX XXX **01.XXXX** Normally open, operating pressure ND 15 up to 50 5 to 6 bar, ND 65 up to 150 6 to 7 bar
- XX XXX **03.XXXX** Seat seal FKM (Viton)
- XX XXX **06.XXXX** Seat seal PTFE (Teflon)
- XX XXX **50.XXXX** Body GGG 40.3, PFA dabbed, seat seal PTFE

- XX XXX **57.XXXX** Electrical position indicator for AC/DC
- XX XXX **58.XXXX** Electrical position indicator only DC max. 30V
- XX XXX **64.XXXX** Electrical position indicator EEx de IIC T6
- **On request** Further versions

A pilot valve can be fitted at the pilot connection

Required parts ND 15 up to ND 50	Cat no
1 pc. 3/2-way-solenoid valve	84 954 75. 0164 DC 84 954 75. 0165 AC

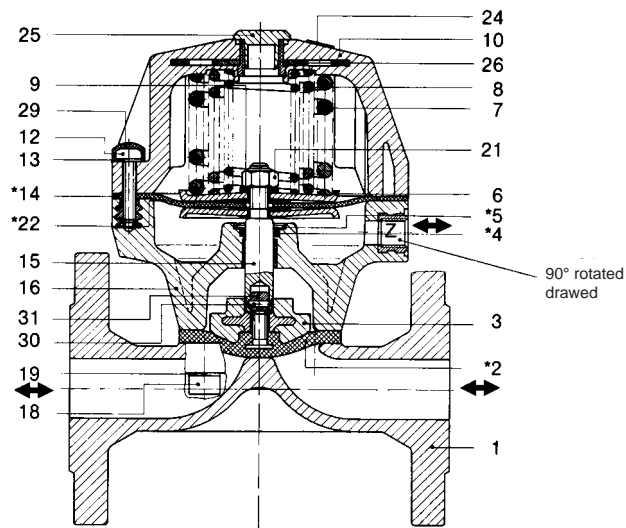
Techn. details see publication 7502723.06.XX.XX

Required parts ND 65 up to ND 100	Cat no
1 pc. 3/2-way-solenoid valve for gaseous fluids	80 207 50.0246
or	
1 pc. 3/2-way-solenoid valve for liquid fluids	24 011 03.0801
1 pc. connection complete	05 626 10.0000

Techn. details see publication 7501049.05.XX.XX or 750 0189.05.XX.XX

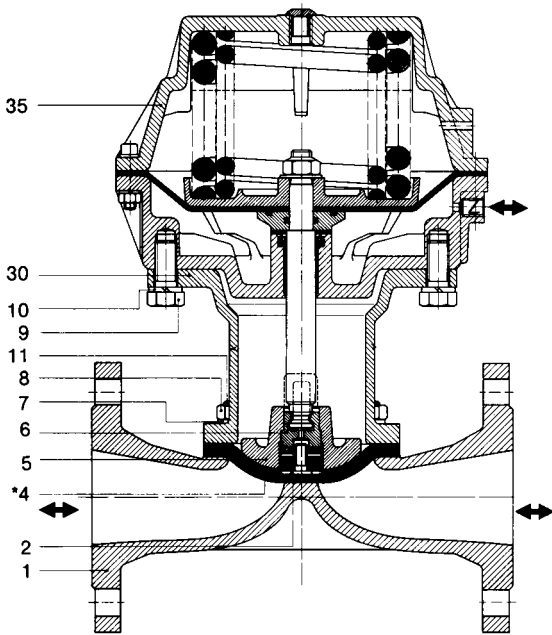
Sections

01



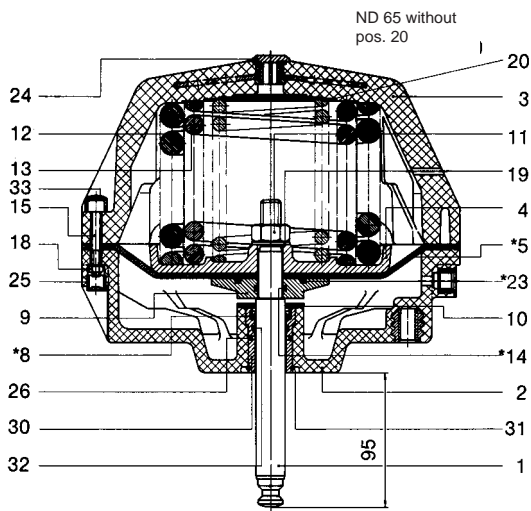
- | | |
|-------------------|--------------------|
| 1 Valve body | 15 Spindle |
| *2 Shut diaphragm | 16 Base complete |
| 3 Thrust collar | 18 Screw |
| *4 Quad-seal-ring | 19 Spring washer |
| *5 Lock washer | 21 Uni-Stop-nut |
| 6 Diaphragm disk | *22 Gasket |
| 7 Pressure spring | 24 Material plate |
| 8 Pressure spring | 25 Sealing cap |
| 9 Washer | 26 Pressure spring |
| 10 Upper part | 29 Cover |
| 12 Screw | 30 Straight pin |
| 13 Washer | 31 Tappet |
| *14 Diaphragm | |

* These individual parts form a complete wearing unit.
When ordering spare parts please state Cat no and series no.



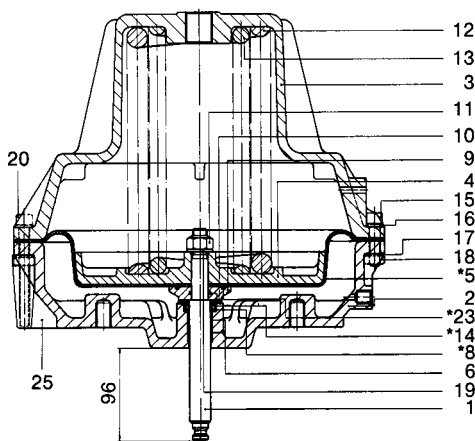
- 1 Valve body
- 2 Tension nut
- *4 Diaphragm
- 5 Thrust piece
- 6 Shell
- 7 Spring washer
- 8 Nut
- 9 Hexagon screw
- 10 Spring washer
- 11 Stud
- 30 Adaptor
- 35 Valve head complete

**Valve head
ND 65 up to ND 100**



- 1 Spindle
- 2 Pot
- 3 Hood
- 4 Diaphragm disk
- *5 Diaphragm
- *8 Lip ring
- 9 Washer
- 10 Damp washer
- 11 Hexagon nut
- 12 Pressure spring
- 13 Pressure spring
- *14 O-Ring
- 15 Hexagon screw
- 18 Hexagon nut
- 19 Plain washer
- 20 Pressure spring
- *23 O-Ring
- 24 Sealing cap
- 25 Sealing cap
- 26 O-Ring
- 30 Guide bush
- 31 Snap ring
- 32 Quad-seal-ring
- 33 Cover

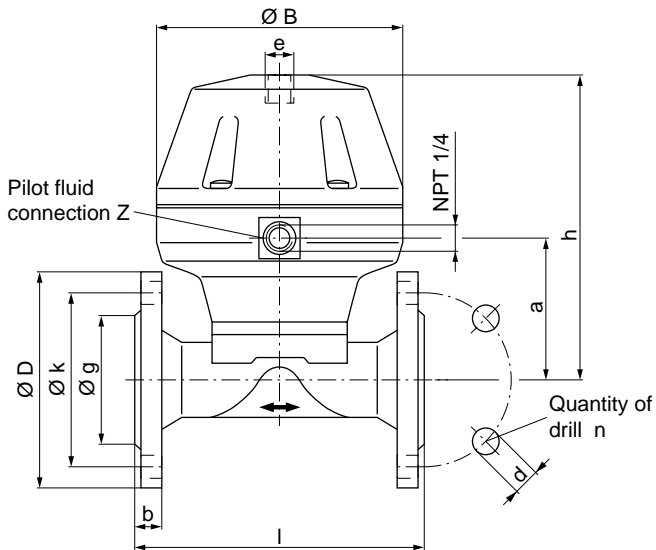
**Valve head
ND 125 up to ND 150**



- 1 Spindle
- 2 Pot
- 3 Hood
- 4 Diaphragm disk
- *5 Diaphragm
- 6 DU bushing
- *8 Lip ring
- 9 Washer
- 10 Damp washer
- 11 Stop nut
- 12 Pressure spring
- 13 Pressure spring
- *14 O-Ring
- 15 Hexagon screw
- 16 Hexagon nut
- 17 Spring washer
- 18 Hexagon nut
- 19 Plain washer
- *23 O-Ring

* These individual parts form a complete wearing unit. When ordering spare parts please state Cat. No. and series-No.

Dimensional drawings



Filling volume of Actuator:

Ø B 125 = 0.15 NI

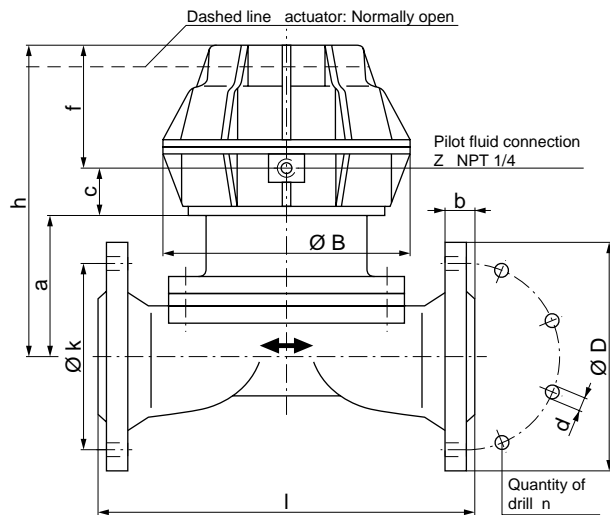
Ø B 155 = 0.35 NI

Ø B 210 = 1.10 NI

Flange connection PN 16 acc. to DIN 2533

Contact face DIN 2526 type C

Dimensional table no	Ø D	Ø g	Ø k	b	d	n	a	Ø B	e	h	l
01	95	45	65	14	14	4	66	125	M 16 x 1	148	130
02	105	58	75	16	14	4	66	125	M 16 x 1	148	150
03	115	68	85	16	14	4	66	125	M 16 x 1	148	160
04	140	78	100	18	18	4	103	155	M 16 x 1	203	180
05	150	88	110	18	18	4	103	155	M 16 x 1	203	200
06	165	102	125	20	18	4	125	210	M 16 x 1	248	230



Filling volume of Actuator:

Ø B 256 = 2.5 NI

Ø B 360 = 6.8 NI

Flange connection PN 16 acc. to DIN 2533

Contact face DIN 2526 type C

Dimensional table no	Ø D	Ø k	b	d	n	a	Ø B	c	f	h	l
07	185	145	20	18	4	155	256	43	174	329	290
08	200	160	22	18	8	165	256	43	174	339	310
09	220	180	24	18	8	180	256	43	174	354	350
10	250	210	26	18	8	210	360	30	309	519	400
11	285	240	26	23	8	205	360	30	309	514	480