

2/2-way valves ND 15 to 50



For neutral gaseous and liquid fluids
Pressure actuated by external fluid
Diaphragm valves
Internal threads G 1/2 to G 2
Operating pressure 0 to 10 bar

Publication 7501573.06.05.97
Catalogue index
A 8
83 350 series

Description (standard valve)

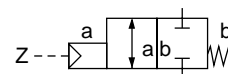
Valve for e.g. air and water

Flow direction: optional
Mounting position: optional

Flow fluid range

Fluid temperature: max. +80 °C
Ambient temperature: max. +55 °C
Material Body: Grey cast iron
Sitzdichtung: EPDM

Pilot fluid: gaseous and liquid
neutral fluids
viscosity max. 40 mm²/s (cSt)
Temperature max. +40 °C



Features

- Suitable for high viscosity and contaminated fluids
- Flow direction and mounting position optional
- Special gaskets for oil

Switching function:
Normally closed

Characteristic data

ND	Connection	Operating pressure with gaseous and liquid fluids up to 400 mm ² /s(cSt) [bar]		Pilot pressure [bar]		kv-value (Base m ³ /h)	Weight [kg]	Dimensional drawing no	Cat no
		min.	max.	min.	max.				
15	G 1/2	0	10	3	6	7	1.9	01	83 352 00.0000
20	G 3/4	0	10	3	6	14	2.0	02	83 353 00.0000
25	G 1	0	10	3	6	20	2.3	03	83 354 00.0000
32	G 1 1/4	0	10	3	6	37	4.5	04	83 355 00.0000
40	G 1 1/2	0	10	3	6	41	4.9	05	83 356 00.0000
50	G 2	0	10	3	6	82	8.6	06	83 357 00.0000

IMI Norgren Buschjost GmbH + Co. KG

PO Box 10 02 52-53
D-32502 Bad Oeynhausen

Tel +49 (0) 57 31 79 10
Fax +49 (0) 57 31 79 11 79

<http://www.buschjost.com>
e-mail: mail@buschjost.de

Further models

available at extra cost

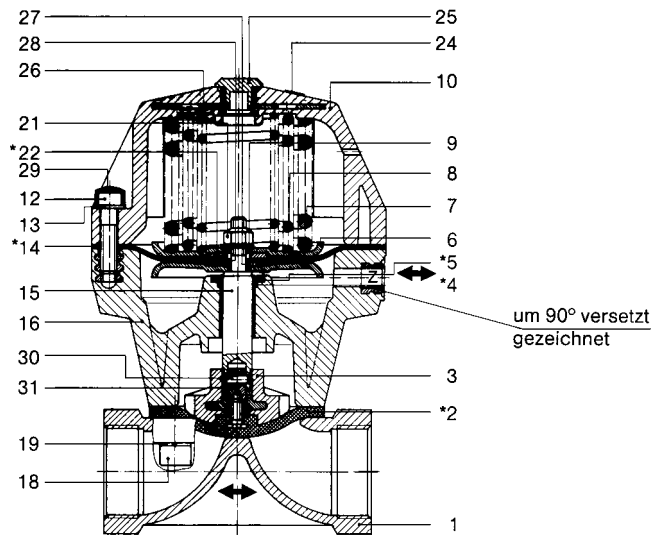
- XX XXX 01.XXXX Normally open, pilot pressure 5 to 6 bar
- XX XXX 03.XXXX Seat seal FKM (Viton)
- XX XXX 06.XXXX Seat seal PTFE (Teflon)
- XX XXX 50.XXXX Body material stainless steel (1.4408)
- XX XXX 57.XXXX Electrical position indicator AC/DC

- XX XXX 58.XXXX Electrical position indicator, only DC max. 30V
- XX XXX 64.XXXX Electrical position indicator EEx de IIC T6

● Weitere Ausführungen auf Anfrage

An electrical solenoid valve can be attach at the pilot connection Z.

Section



Required parts	Cat no
1 pcs. 3/2-way solenoid valve	84 954 75.0164 DC 84 954 75.0165 AC

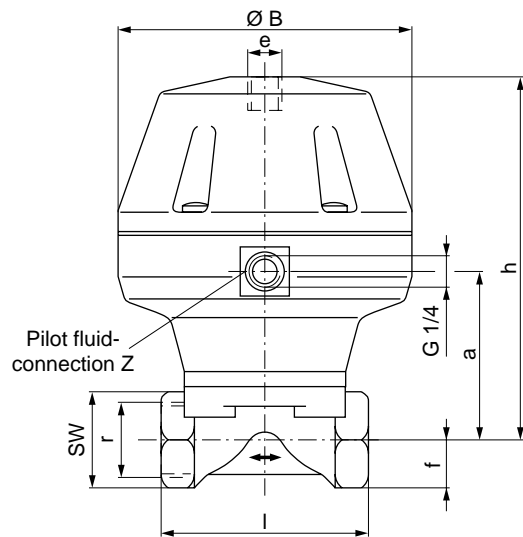
Technical details see publication 7502723.06.XX.XX

- | | |
|-------------------|--------------------|
| 1 Valve body | 21 Uni-Stop-nut |
| *2 Shut diaphragm | *22 Gasket |
| 3 Thrust collar | 24 Material plate |
| *4 Quad-seal-ring | 25 Sealing cap |
| *5 Lock washer | 26 Pressure spring |
| 6 Diaphragm disk | 27 O-Ring |
| 7 Pressure spring | 28 Distance ring |
| 8 Pressure spring | 29 Cover |
| 9 Washer | 30 Straight pin |
| 10 Upper part | 31 Tappet |
| 12 Screw | |
| 13 Washer | |
| *14 Diaphragm | |
| 15 Spindle | |
| 16 Base complete | |
| 18 Screw | |
| 19 Spring washer | |

*These individual parts form a complete wearing unit.

When ordering spare parts please state Cat. No. and series No.

Dimensions



Filling volume of actuator:

- Ø B 125 = 0.15 NI
- Ø B 155 = 0.35 NI
- Ø B 210 = 1.10 NI

Dimension table no	a	Ø B	e	f
01	60	125	M 16 x 1	16,0
02	66	125	M 16 x 1	20,5
03	66	125	M 16 x 1	23,0
04	103	155	M 16 x 1	27,5
05	103	155	M 16 x 1	32,5
06	125	210	M 16 x 1	37,5
Dimension table no	h	l	r	SW
01	148	85	G 1/2	32
02	148	85	G 3/4	41
03	148	110	G 1	46
04	203	120	G 1 1/4	55
05	203	140	G 1 1/2	65
06	248	165	G 2	75